



RENNEBERG HARDWOODS, INC



PRODUCT CATALOG

MAIN OFFICE DISTRIBUTION

**11773 State Hwy 87 West
Menahga, MN 56464**

Phone: 218-564-4912

Fax: 218-564-5360

Toll Free: 800 950-8553

ST. CLOUD DISTRIBUTION

**515 25th Avenue North
St Cloud, MN 56303**

Phone: 320-253-4912

Fax: 320-253-4922

Toll Free: 866-322-4912

SIOUX FALLS DISTRIBUTION

**1004 East Ash Street
Brandon, SD 57005**

Phone: 605-582-6882

Fax: 605-582-2407

Toll Free: 800-481-9822



www.renneberghardwoods.com

OUTSIDE SALES TEAM

Nate Erickson - MN, WI
natee@renneberghardwoods.com

Eli Jettmann - MN, ND
elij@renneberghardwoods.com

Robert Sweeney - MN, WI, IA
rsweeney@renneberghardwoods.com

Jamie Jackson - MN, SD, IA, NE
jamiej@renneberghardwoods.com

INSIDE SALES TEAM

Carrie Carlson
Nate Erickson
Eli Jettmann
Rich Lepper
Kari Weston

HOURS

7:30 am – 5:30 pm (M - Th)

7:30 am – 5:00 pm (Friday)

TERMS AND CONDITIONS OF SALE

Packing lists will be presented by the driver when goods are delivered. Payment is due upon delivery, unless an Open Account has been established. Invoices will be mailed, faxed or emailed when packing slips are returned.

Terms are available. An Open Account can be established by filling out an Application for Open Account, attached to the back of this catalog. Once your application is approved, invoices are due according to the terms authorized by the Credit Department. Payment of material will be due upon receipt until an Open Account is approved. If tax exempt, a sales tax exemption certificate must be completed prior to first order. A service charge of 1-1/2% per month will be assessed on all past due balances. Terms and conditions are included at the back of this catalog, please return a signed copy prior to first order.

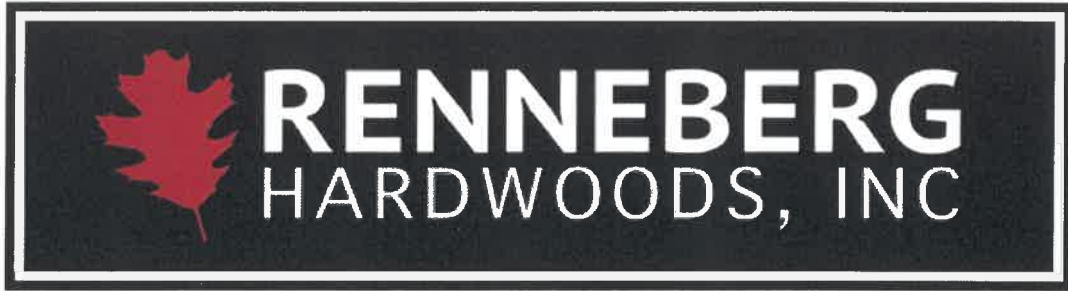
Prices are subject to change without notice. Availability of products listed is subject to change at supplier's discretion.

Terms, credit limit and open account status are subject to change without notice.

Possession of this product list should not be construed as an offer to sell the goods listed

TABLE OF CONTENTS

	PAGE
MOULDINGS -----	1-20
Bar Rail -----	4
Base -----	5-6
Cap -----	7
Casing -----	8-9
Chair Rail -----	10
Cove -----	11-12
Crown -----	13-15
Flooring & Accessories -----	16
Handrail -----	17
Miscellaneous Mouldings -----	18-19
Outside Corner -----	19
Shiplap -----	20-21
Tongue and Groove -----	22-23
 LUMBER -----	 L1-L8
 PLYWOOD AND SHEET GOODS -----	 S1-S9
Wood Veneers -----	S1-S6
Melamines -----	S6-S7
Vinyl -----	S8
Particle Board -----	S8
Raw MDF -----	S9
Bending Stock -----	S9
Drawer Side & Shelving -----	S10
Edge Glued Panels -----	S10



**QUALITY HARDWOOD
MOULDINGS PROFILE**



MOULDING CATALOG INFORMATION

1. **SPECIAL ORDERS** are A.) Custom profiles not found in our catalog, or, B.) Mouldings that are in our catalog but modified in any way. A set-up fee will be applied when applicable. A 50% down payment will be required on all special order items.
2. **SET-UP CHARGES** Non-stocking profiles and species minimum order size is 100'. A set-up charge will apply to orders less than 300'. The minimum set-up fee will be \$70.00 per profile. A higher charge may be applied under certain circumstances. Please call your Renneberg sales representative for an actual quote.
3. **LENGTH SPECIFICATION** for random length mouldings is 6' – 14' in most species. Filling orders will be subject to availability. Specified lengths are subject to the following mark-ups: 15% for 9' – 12', 25% for 12' or longer.
4. **CLAIMS** for shortages and defects or errors in shipment must be made within 3 days of receiving product. Buyer has responsibility for verifying that all items are received as billed. No adjustments will be made after this 3 day time frame.
5. **CANCELLATIONS** of special orders are not possible once production has begun.
6. **RETURNS** must be authorized by our office prior to returns being accepted. Returns must be made within 30 days of receiving items. Product which has been altered by customer can no longer be returned. Product not properly stored is not returnable. Returns with RGA will be reviewed, inspected, and tallied for correct credit amount. Our drivers must have an RGA form before they accept any returns. Returns of special order items is not possible. Prefinished or remanufactured items will not be returnable.

A MINIMUM RESTOCKING FEE OF 15% WILL BE APPLIED TO ALL RETURNED ITEMS.

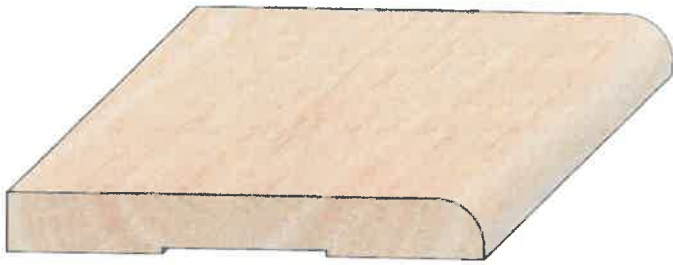
BAR RAIL



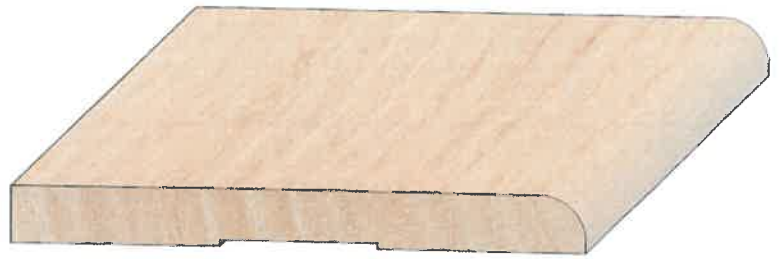
R145



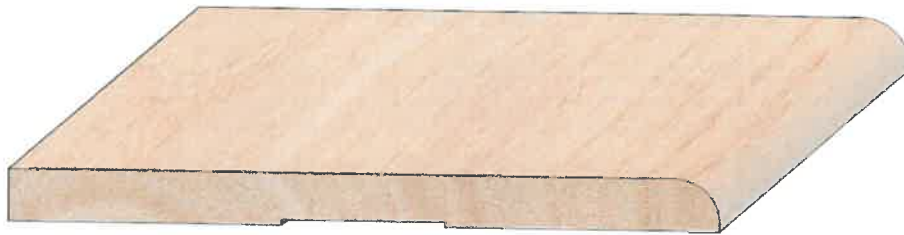
BASE



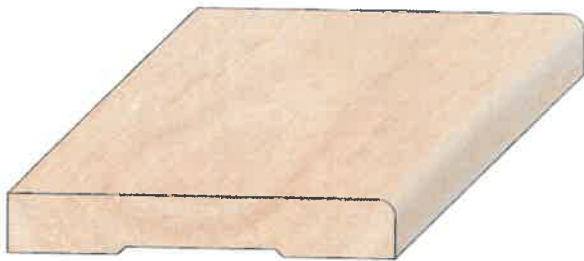
R107A
1/2" X 4"



R107B
1/2" X 5"



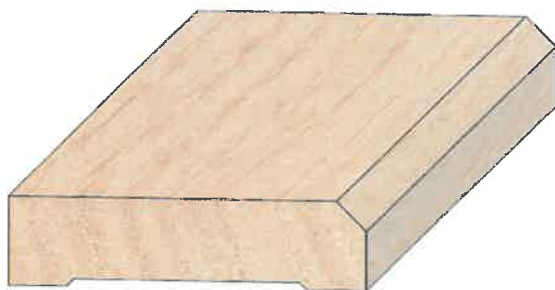
R107C
1/2" X 6"



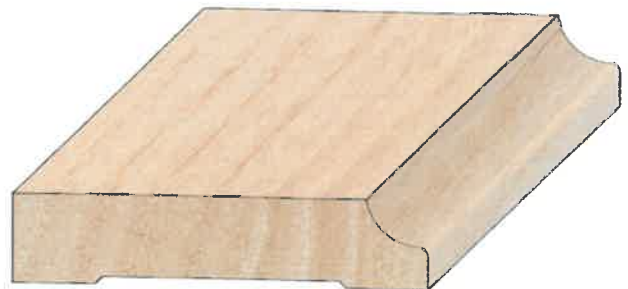
R219
1/2" X 3 1/4"



R128
11/16" X 3 1/4"

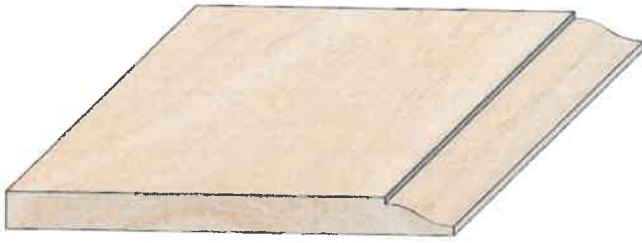


R200
3/4" X 3"



R241
3/4" X 3 1/2"

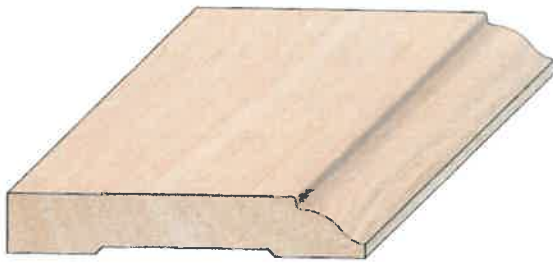
BASE



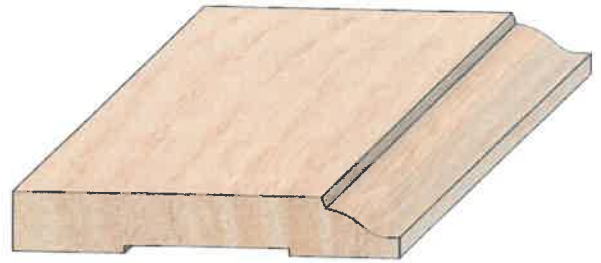
R411
5/16" X 3 3/4"



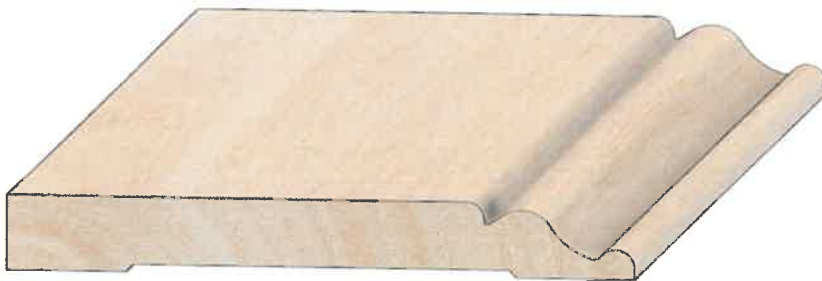
R234
3/8" X 2 1/2"



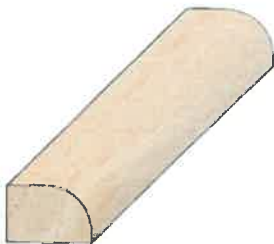
R109
1/2" X 3"



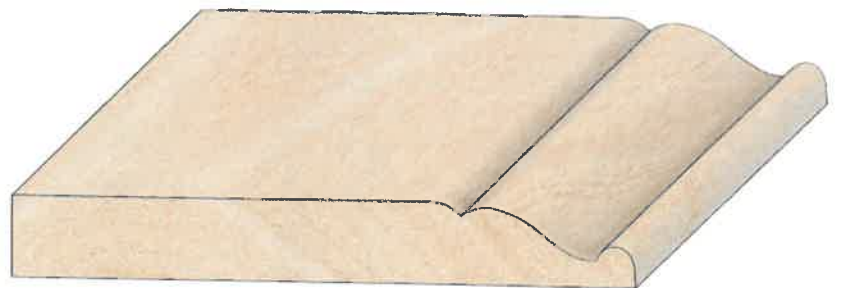
R159
1/2" X 3 1/4"



R247
5/8" X 5 1/4"



R124
1/2" X 3/4"

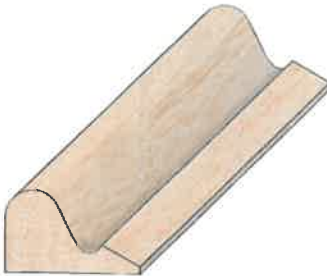


R283
11/16" X 5 1/4"

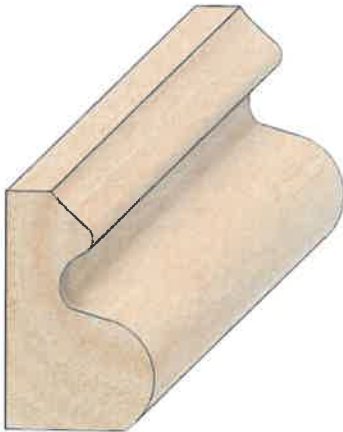
CAP



R206
1 3/8" X 11/16"

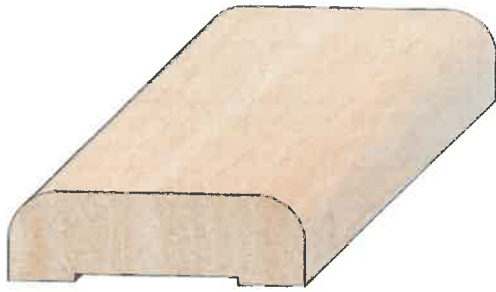


R236
11/16" X 1 1/8"

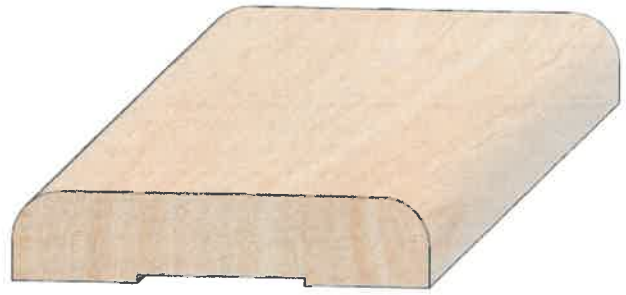


R248
2" X 1 1/4"

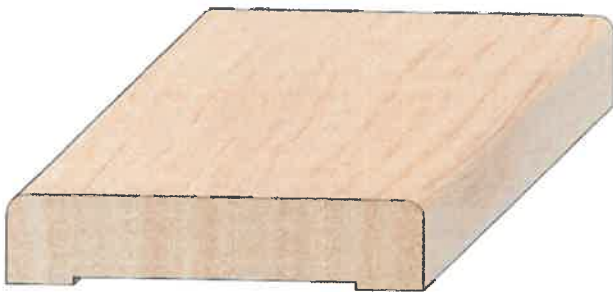
CASING



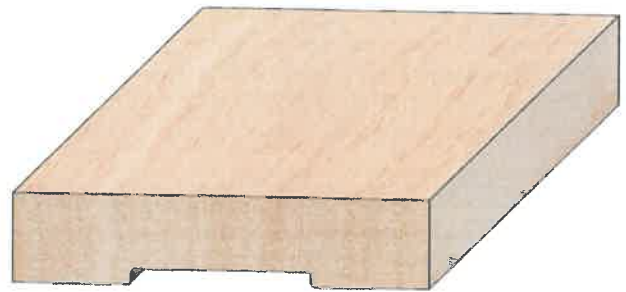
R106A
3/4" X 2 1/2"



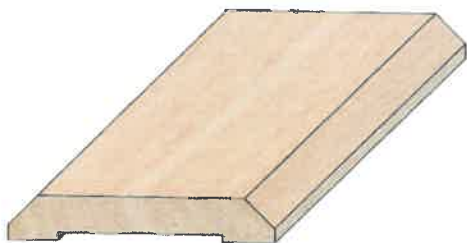
R106B
3/4" X 3 1/2"



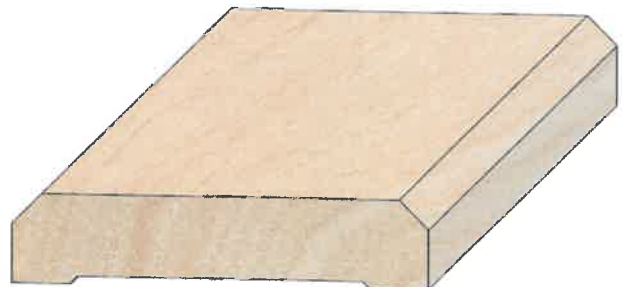
R149
3/4" X 3 1/2"



R210
3/4" X 3 1/2"

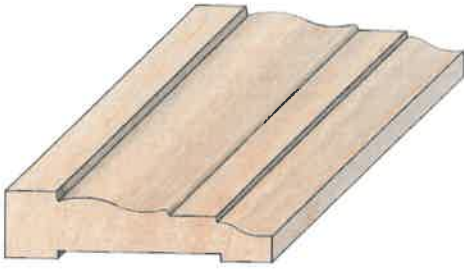


R142
3/8" X 2 1/4"

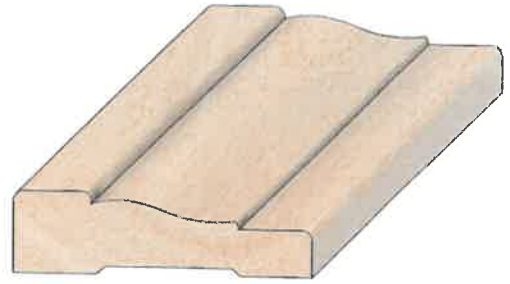


R197
3/4" X 3 1/2"

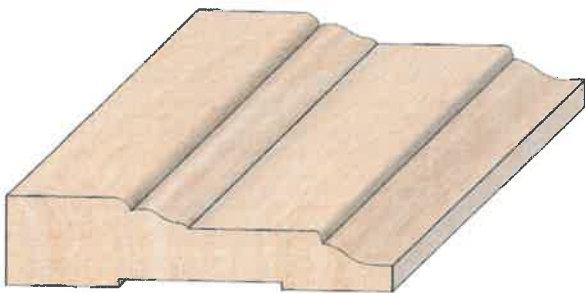
CASING



R158
9/16" X 2 1/4"



R191
11/16" X 2 1/2"



R108
3/4" X 3 1/4"

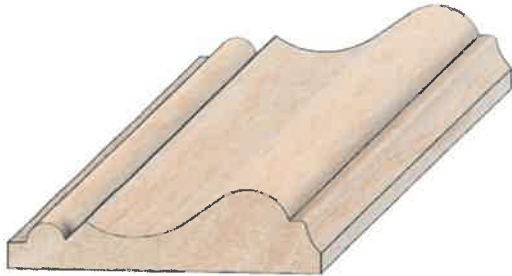


R192
5/8" X 2 1/4"

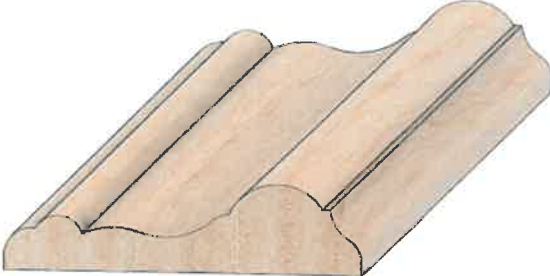


R166
11/16" X 3 1/4"

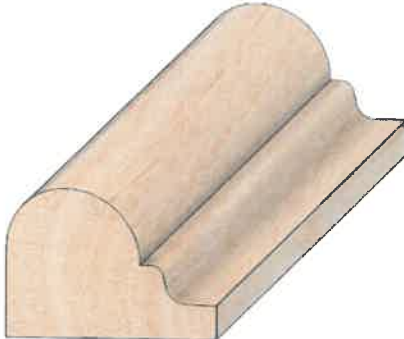
CHAIR RAIL



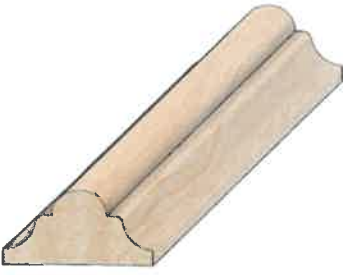
R238
1 1/16" X 2 5/8"



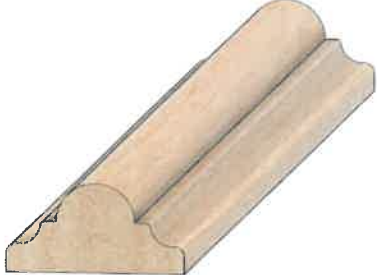
R115
3/4" X 3"



R235
1 1/4" X 1 3/4"



R426
5/8" X 1 1/4"

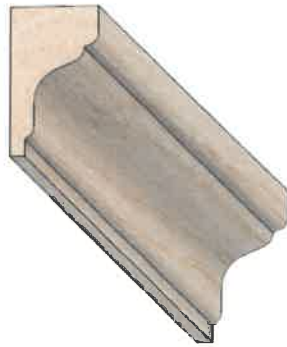


R284
3/4" X 1 1/2"

COVE



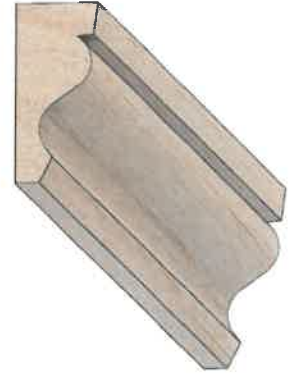
R118
3/4" X 1 1/8"



R156
3/4" X 1 1/4"



R376
3/4" X 1 3/8"



R237
1 1/16" X 1 1/2"



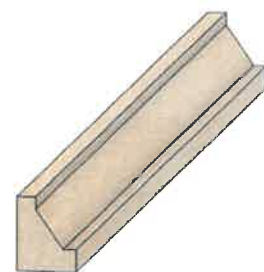
R507
3/4" X 13/16"



R152
1/2" X 1/2"

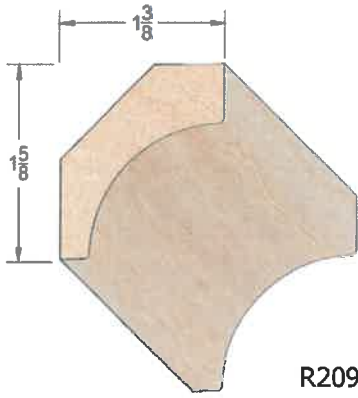


R133
3/4" X 3/4"

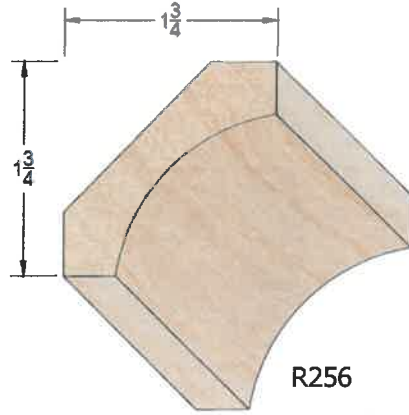


R263
5/8" X 1/2"

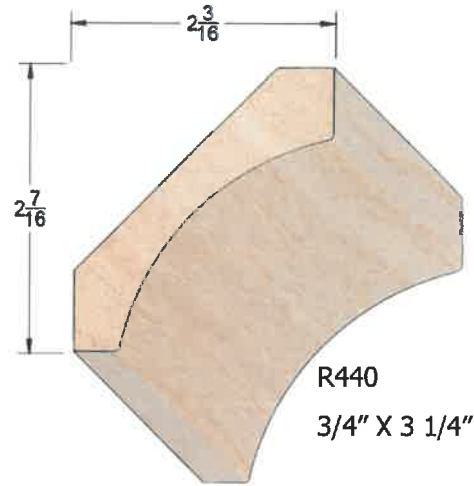
COVE



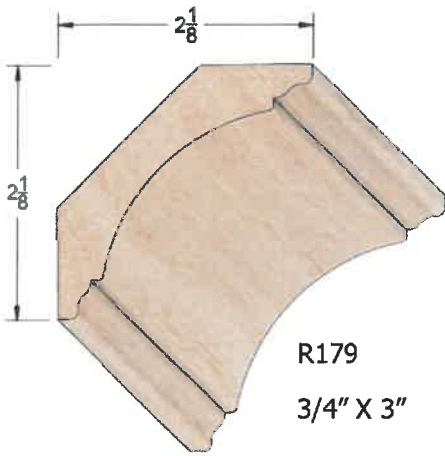
R209
3/4" X 2 1/8"



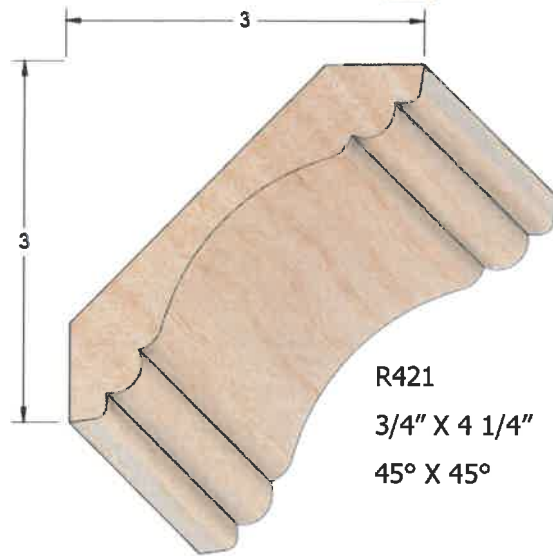
R256
1 1/16" X 2 1/2"



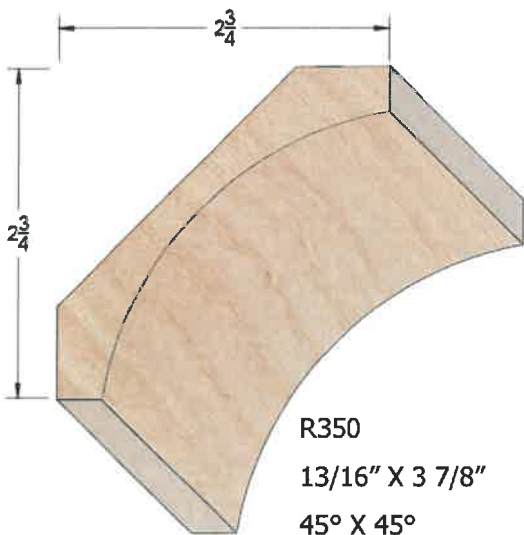
R440
3/4" X 3 1/4"



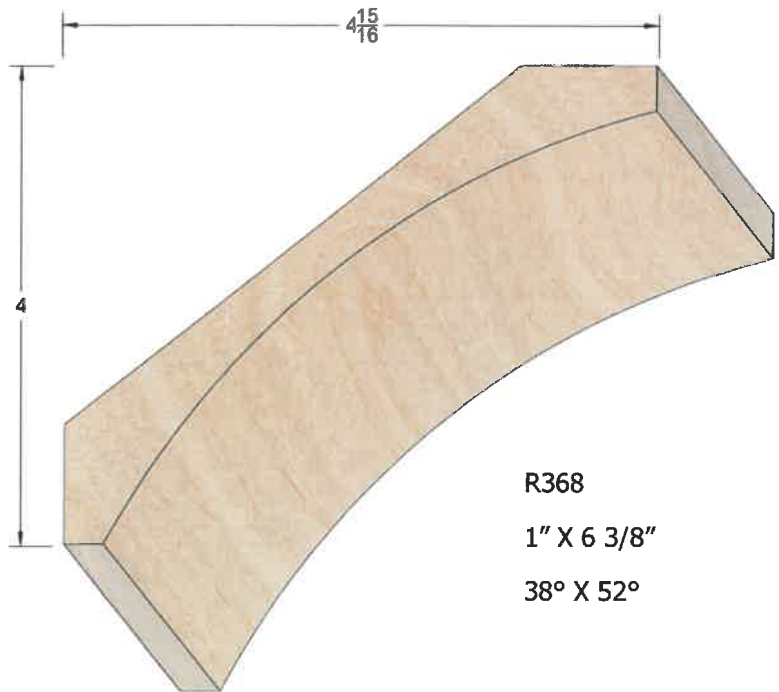
R179
3/4" X 3"



R421
3/4" X 4 1/4"
45° X 45°

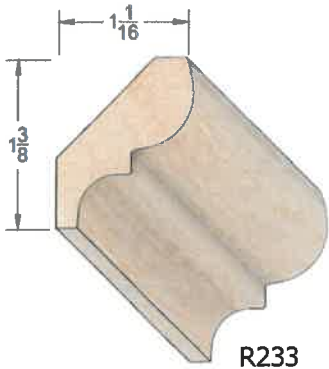


R350
13/16" X 3 7/8"
45° X 45°



R368
1" X 6 3/8"
38° X 52°

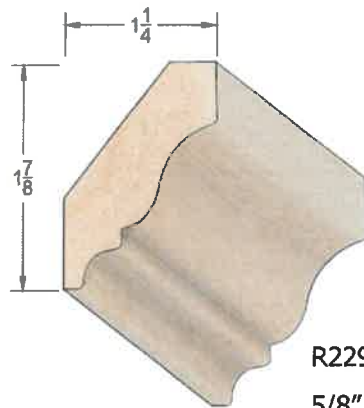
CROWN



R233

9/16" X 1 3/4"

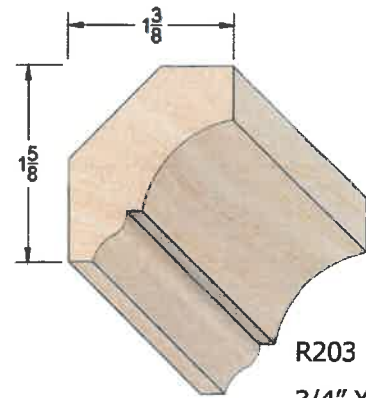
45° X 45°



R229

5/8" X 2 1/4"

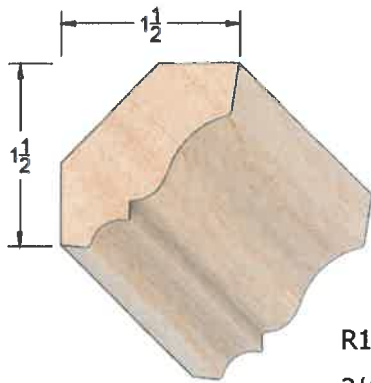
38° X 52°



R203

3/4" X 2 1/8"

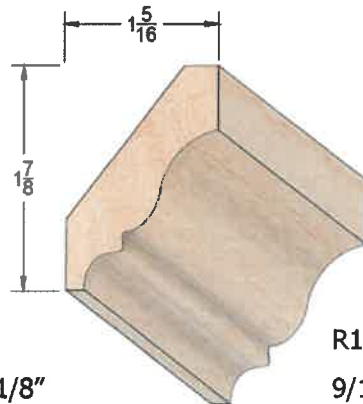
45° X 45°



R114

3/4" X 2 1/8"

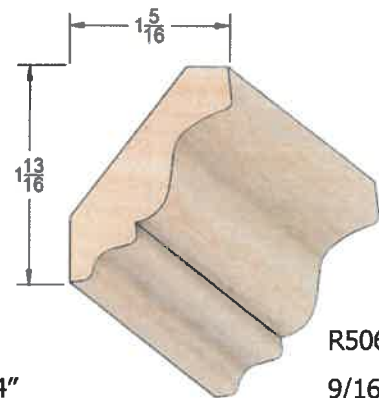
45° X 45°



R148

9/16" X 2 1/4"

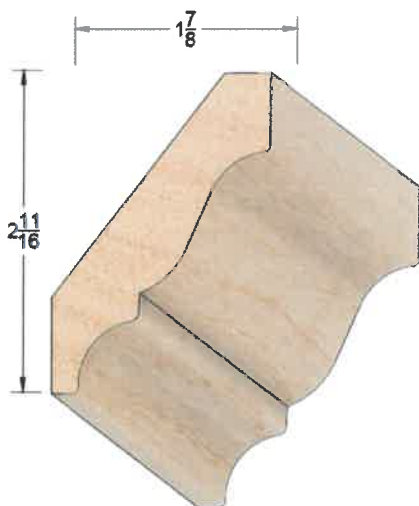
38° X 52°



R506

9/16" X 2 1/4"

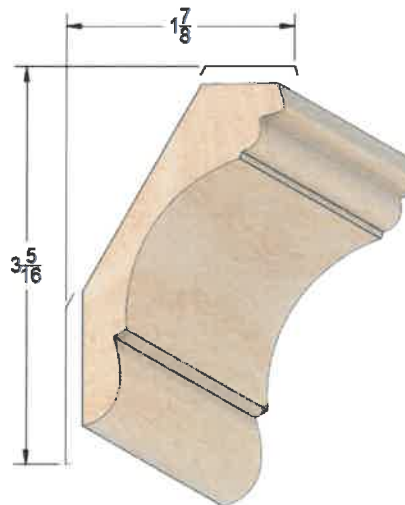
38° X 52°



R230

11/16" X 3 1/4"

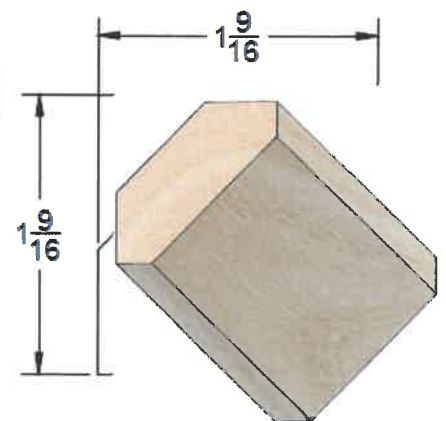
38° X 52°



R231

13/16" X 3 13/16"

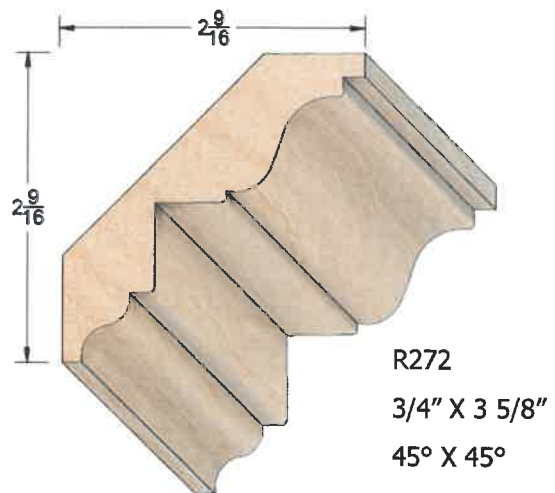
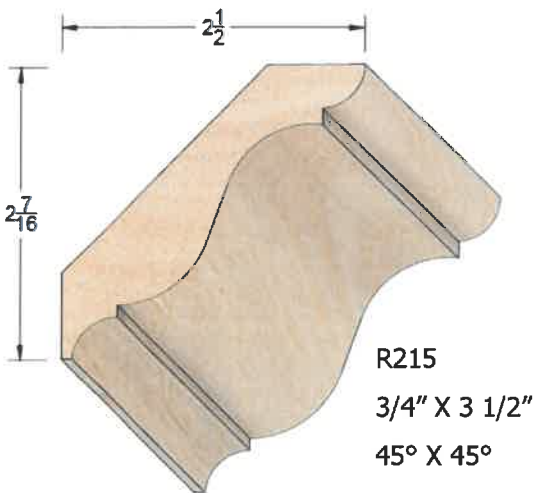
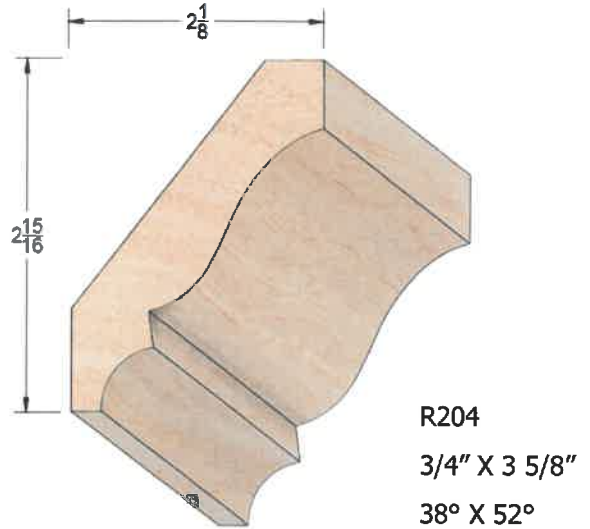
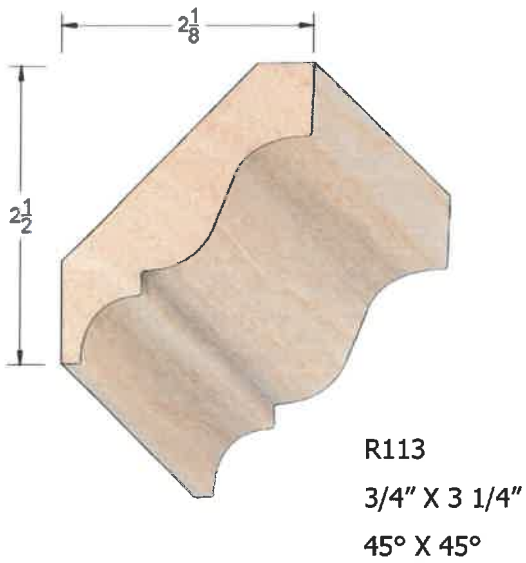
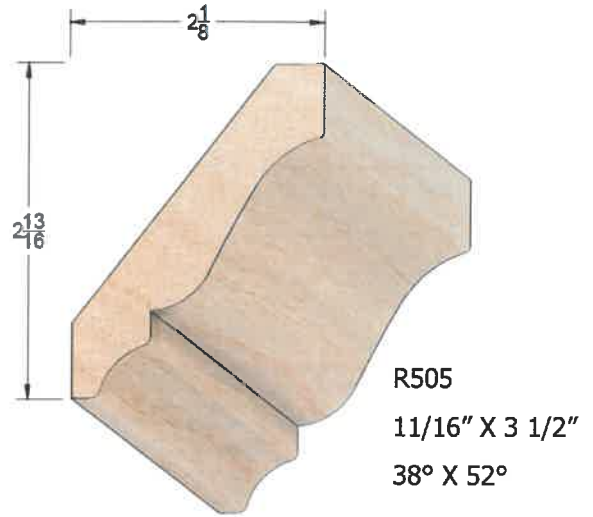
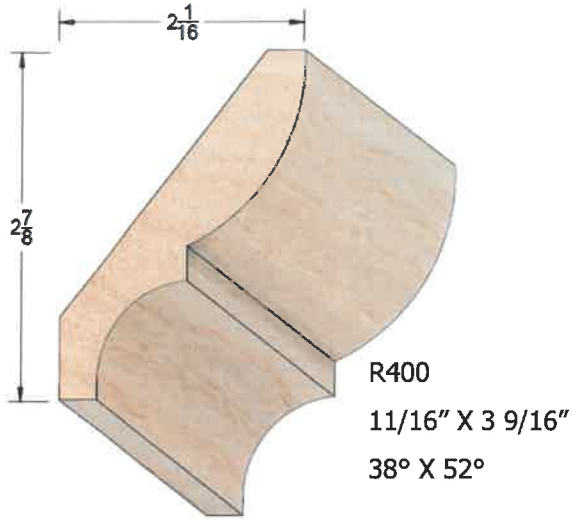
30° X 60°



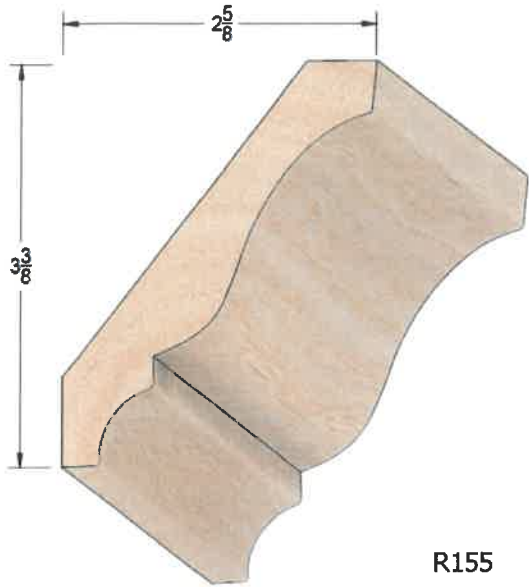
R161

3/4" x 2 1/4"

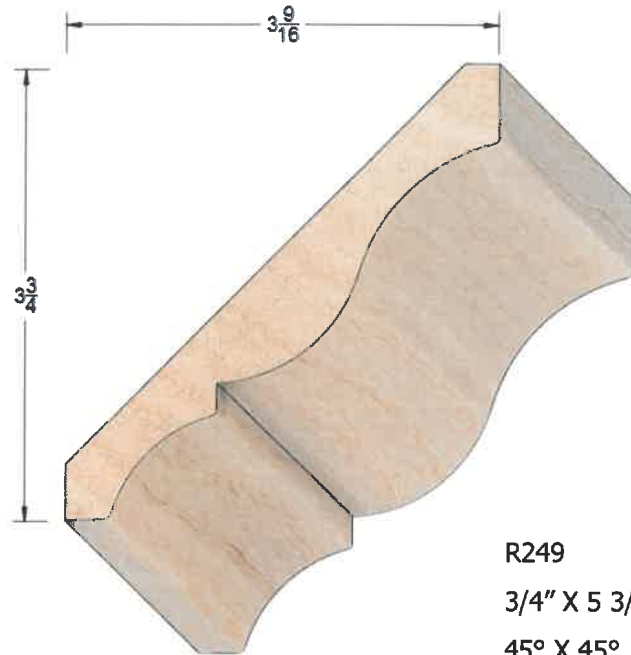
CROWN



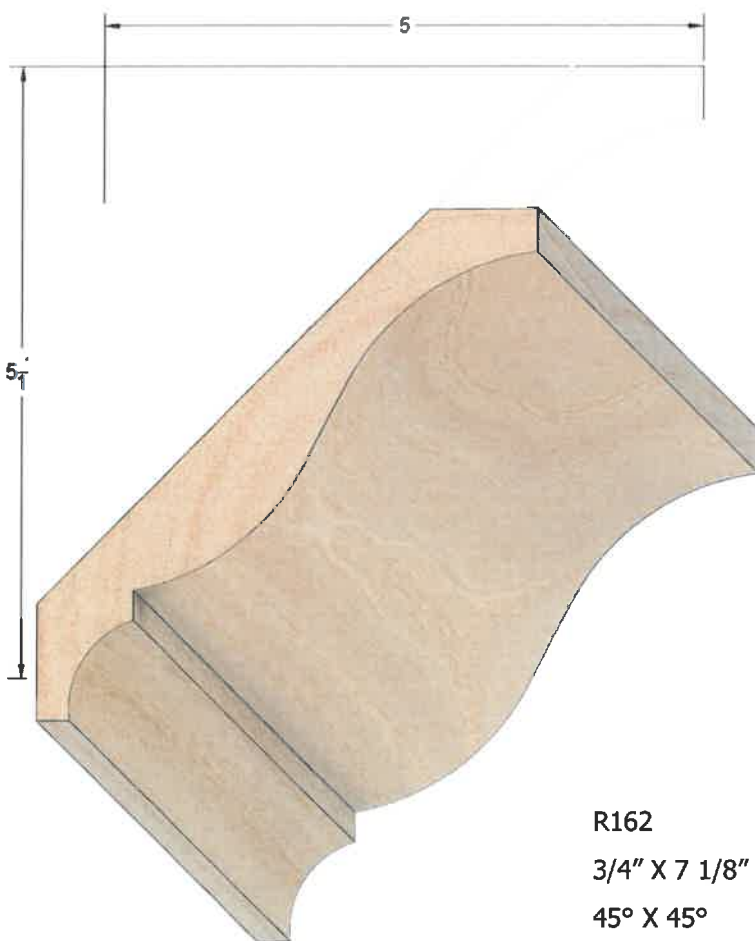
CROWN



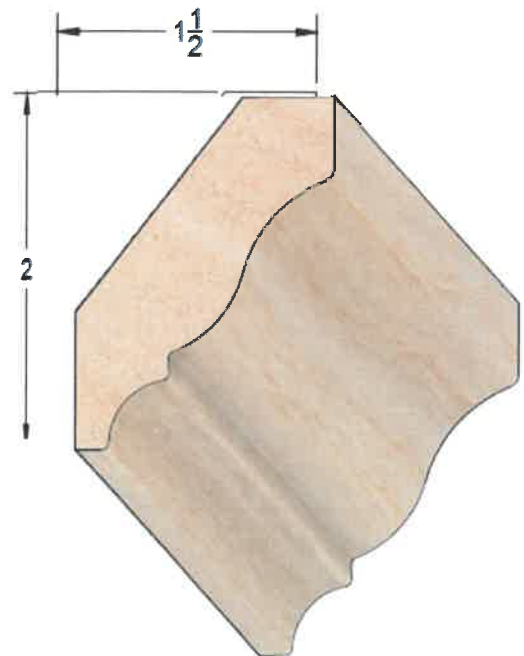
R155
11/16" X 4 1/4"
38° X 52°



R249
3/4" X 5 3/16"
45° X 45°

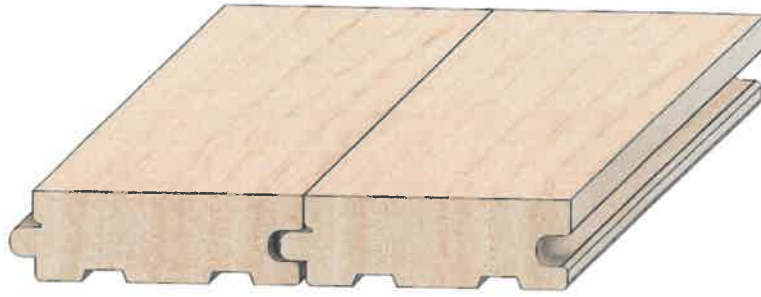


R162
3/4" X 7 1/8"
45° X 45°



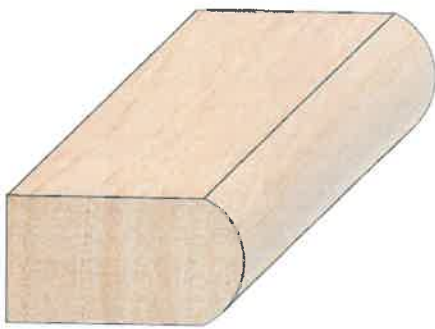
R216
11-16 x 2 1/2"

FLOORING & ACCESORIES



R100

3/4" X 1 1/2", 2 1/4" & 3 1/4"



R870

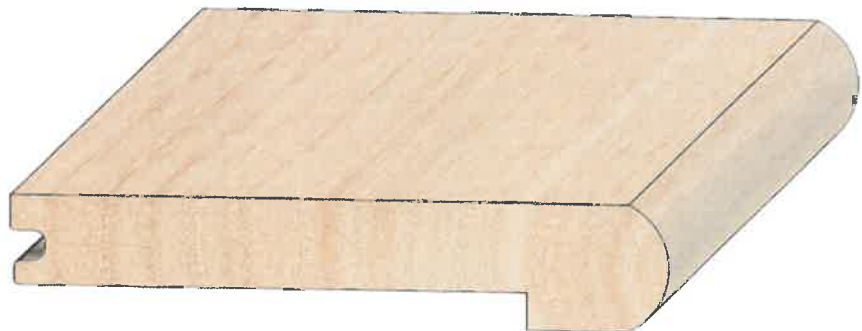
1 1/16" X 2"

STAIR RETURN

R871

1 1/16" X 5 1/2"

STAIR NOSING



HANDRAIL



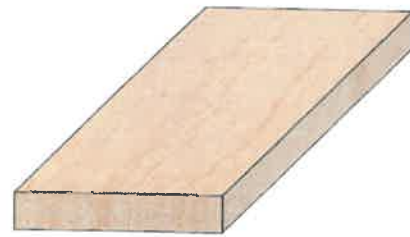
R800A
2 3/8" X 2 5/8"
1 3/8" PLOW



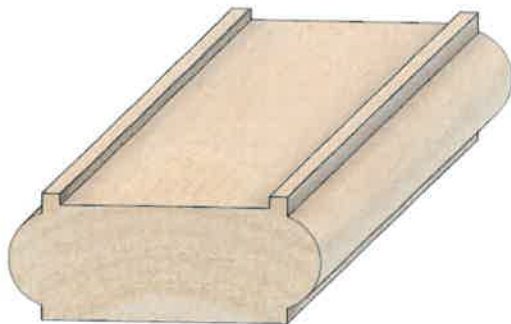
R800B
2 3/8" X 3"
1 3/4" PLOW



R806
1 1/4" X 2 1/4"
HANDRAIL



R830
5/16" X 1 3/4"
MULL STRIP/FILLET



R820
1 1/16" X 2 5/8"
BOTTOM RAIL

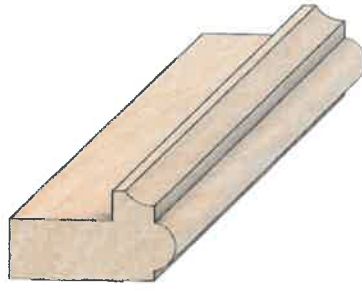


R821
1 3/4" X 2 13/16"
BOTTOM RAIL

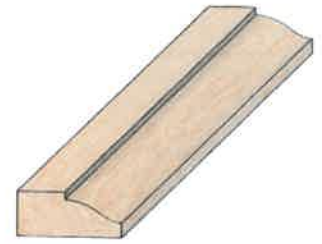
MISCELLANEOUS MOULDINGS



R119
3/4" X 3/4"
QUARTER ROUND



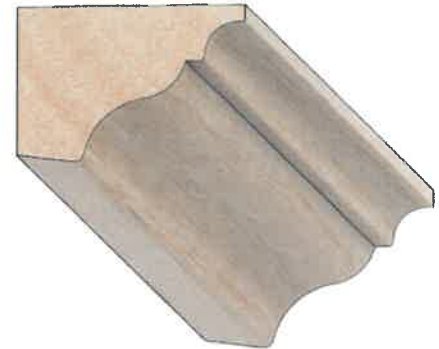
R144
3/4" X 1 3/8"
PICTURE FRAME



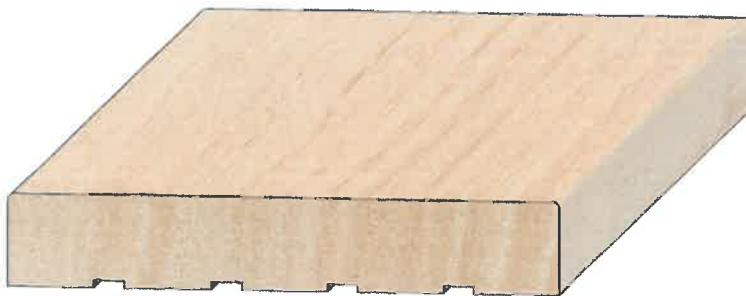
R174
3/8" X 7/8"
COLONIAL DOOR STOP



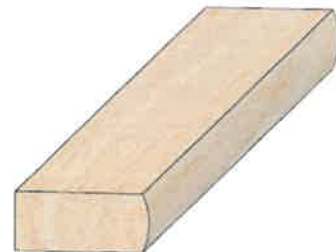
R189
1 1/8" X 1 7/8"
HEAD MOULDING



R213
1 15/16" X 1 15/16"
RAKE MOULDING

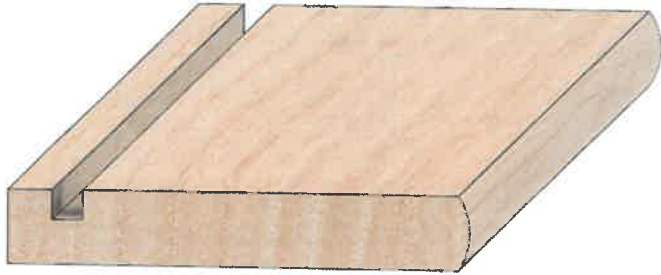


R186
13/16" X 4 5/8"
HEAD MOULDING



R211
1/2" X 1 1/8"
STOOL

MISCELLANEOUS MOULDINGS

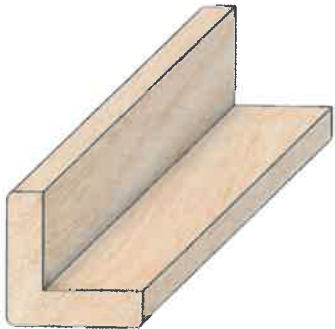


R514
5/8" X 3 7/8"
DRAWER SIDE



R176
1/2" X 1 3/4"
COUNTERTOP EDGE BAND

OUTSIDE CORNER



R147
1 1/8" X 1 1/8"



R509
25/32" X 25/32"

SHIPLAP



R198
3/4" X 5 5/8"*
NO GAP



R543
3/4" X 5 1/2"*
1/8" GAP



R199
3/4" X 5 1/2"*
1/4" GAP

* Other Widths May Be Available on Request

SHIPLAP



R268

3/4" X 5 7/8"*



R460

3/4" X 5 1/2"*

* Other Widths May Be Available on Request

TONGUE & GROOVE



R338
5/16" X 3 3/8"

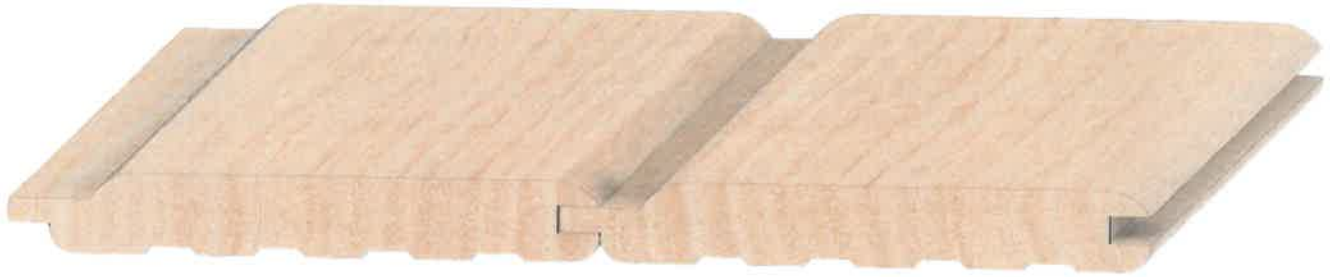


R132
3/4" X 3 3/8"



R125
3/4" X 3 3/8"

TONGUE & GROOVE



R226

3/4" X 5 7/16"



R101

3/4" X 3", 4", 5" & 6"

* Other Widths May Be Available on Request

LUMBER

MILLING SERVICES AVAILABLE

Hit or Miss 2 Sides	H&M
Surface 2 Sides—Milled to Your Specifications	S2S
Straight Line Rip 1 Edge	R1E
Surface 4 Sides	S4S
Custom Sanding Available	
Gang Rip	

All products are subject to availability.

ALDER

4/4 SUPERIOR	6/4 SUPERIOR
4/4 CABINET GRADE	6/4 RUSTIC
4/4 PREMIUM RUSTIC	8/4 SUPERIOR
4/4 RUSTIC	8/4 RUSTIC
5/4 SUPERIOR	12/4 RUSTIC (RIE not available)
5/4 RUSTIC	

ASH

4/4 FAS/SEL – SELECTED WHITE (SAP 1FACE)	4/4 #1C
4/4 FAS/SEL – SELECTED BLACK	5/4 FAS/SEL
4/4 FAS/SEL FULL PRODUCT (NATURAL)	6/4 FAS/SEL
4/4 FAS/SEL QTR SAWN WHITE ASH	8/4 FAS/SEL
4/4 RUSTIC	

ASPEN

4/4 FAS/SEL

6/4 FAS/SEL

4/4 #1C

8/4 #1C

BASSWOOD

4/4 FAS/SEL

8/4 FAS/SEL

4/4 #1C

8/4 #1C

5/4 FAS/SEL

12/4 FAS/SEL (R1E not available)

6/4 FAS/SEL

RED BIRCH

4/4 FAS/SEL

5/4 FAS/SEL

4/4 #1C

8/4 FAS/SEL

WHITE BIRCH

4/4 FAS/SEL

5/4 FAS/SEL

4/4 NATURAL FAS/SEL

6/4 FAS/SEL

4/4 PAINT GRADE FAS/SEL

8/4 FAS/SEL

4/4 #1C

8/4 #1C

4/4 PREMIUM RUSTIC (NATURAL)

YELLOW BIRCH

4/4 FAS/SEL

5/4 FAS/SEL

4/4 NATURAL FAS/SEL

5/4 FAS/SEL NATURAL

4/4 PREMIUM RUSTIC (NATURAL)

6/4 FAS/SEL

4/4 #1C

8/4 FAS/SEL

BUTTERNUT

4/4 FAS/SEL

6/4 #1C/BTR

4/4 RUSTIC

8/4 #1C/BTR

4/4 #1C

AMERICAN BEECH

4/4 SUPERIOR

4/4 #1C

4/4 PREMIUM RUSTIC

RED AROMATIC CEDAR

4/4 #1C/BTR

CHERRY

4/4 PRIME PLUS (100% A-Face/90% B-Face Average)

4/4 RUSTIC CHERRY

4/4 PRIME (90% Heart A-Face/70% Heart B-Face)

4/4 #1C

4/4 FAS/SEL (80% Average A-Face)

5/4 FAS/SEL

4/4 FAS/SEL (70% Heart A-Face)

6/4 FAS/SEL

4/4 GUMMY CHERRY

8/4 FAS/SEL

4/4 PREMIUM RUSTIC

10/4 FAS/SEL

QUARTER SAWN/RIFT

4/4 FAS/SEL

8/4 FAS/SEL

5/4 FAS/SEL

RED ELM

4/4 FAS/SEL

4/4 RUSTIC

HICKORY

4/4 FAS/SEL PREMIUM CALICO (90-95% IN UNITS WILL BE CALICO)	4/4 #1C
4/4 FAS/SEL CALICO (60-70% FACES IN UNIT WILL BE CALICO)	5/4 FAS/SEL
4/4 FAS/SEL (BROWN)	5/4 RUSTIC
4/4 FAS/SEL CALICO CIRCLE SAWN	5/4 #1C
4/4 RUSTIC	6/4 FAS/SEL
4/4 RUSTIC (BROWN)	6/4 RUSTIC
4/4 RUSTIC CIRCLE SAWN	8/4 FAS/SEL
4/4 3A	8/4 RUSTIC

HARD MAPLE

4/4 PREMIUM WHITE MAPLE	5/4 #1C
4/4 WHITE FAS/SEL	6/4 FAS/SEL
4/4 NATURAL FAS/SEL	6/4 #1C
4/4 PAINT GRADE FAS/SEL	8/4 FAS/SEL
4/4 PREMIUM RUSTIC	8/4 #1C
4/4 #1C	10/4 FAS/SEL
5/4 FAS/SEL	12/4 FAS/SEL (RIE not available)

QUARTER-SAWN/RIFT HARD MAPLE

4/4 FAS/SEL

BIRDSEYE MAPLE

4/4 FAS/SEL

8/4 FAS/SEL

SOFT MAPLE

4/4 FAS/SEL (SAP 1 FACE)

4/4 FAS/SEL NATURAL PAINT GRADE

4/4 FAS/SEL PAINT GRADE

4/4 #1C

4/4 TIGHT KNOT R1E

5/4 FAS/SEL NATURAL

6/4 FAS SEL (SAP 1 FACE)

6/4 FAS/SEL NATURAL

8/4 FAS/SEL (SAP I FACE)

8/4 NATURAL

9/16 FAS/SEL NAT DRAWER SIDE
90% 6"+

5/8 FAS/SEL NAT DRAWER SIDE
90% 6"+

WORMY SOFT MAPLE

4/4 FAS/SEL

5/4 FAS/SEL

6/4 FAS/SEL

WHITE PINE

4/4 D-SEL

4/4 PREMIUM KNOTTY PINE

4/4 STANDARD KNOTTY PINE

4/4 FURNITURE GRADE

4/4 CIRCLE SAWN KNOTTY PINE

4/4 SHOP

5/4 D-SEL

5/4 KNOTTY

6/4 D-SEL

6/4 KNOTTY

8/4 D-SEL

8/4 KNOTTY

8/4 CIRCLE SAWN — KNOTTY

8/4 SHOP

NORTHERN RED OAK

4/4 PRIME

4/4 FAS/SEL

4/4 FAS/SEL COLOR MATCHED

4/4 FAS/SEL CIRCLE SAWN

4/4 PREMIUM RUSTIC

4/4 RUSTIC CIRCLE SAWN

4/4 #1C

4/4 #2C

5/4 FAS/SEL

5/4 #1C

6/4 FAS/SEL

6/4 #1C

8/4 FAS/SEL

8/4 RUSTIC

8/4 #1C

10/4 FAS/SEL

12/4 FAS/SEL (R1E not available)

QUARTER-SAWN/RIFT RED OAK

4/4 FAS/SEL QTR SAWN

4/4 RUSTIC QTR SAWN/RIFT

4/4 FAS/SEL RIFT

4/4 #1 COM QTR SAWN/RIFT

5/4 FAS/SEL QTR SAWN/RIFT

6/4 FAS/SEL QTR SAWN/RIFT

8/4 FAS/SEL QTR SAWN/RIFT

BLACK WALNUT

4/4 PRIME (90% Heart on face, 90% on back)

4/4 FAS/SEL (70% Heart on face, 50% on back)

4/4 RUSTIC

4/4 #1C

4/4 #2C

5/4 PRIME (90% Heart on face, 90% on back)

5/4 FAS/SEL (70% Heart on face, 50% on back)

5/4 RUSTIC

6/4 PRIME (90% Heart on face, 90% on back)

6/4 FAS.SEL (70% Heart on face, 50% on back)

8/4 PRIME (90% Heart on face)

8/4 FAS/SEL (70% Heart on face, 50% on back)

8/4 RUSTIC

QUARTER SAWN/RIFT WALNUT

4/4 FAS/SEL QUARTER SAWN/RIFT

WHITE OAK

4/4 FAS/SEL

4/4 #1C

4/4 RUSTIC

5/4 FAS/SEL

4/4 FAS/ SEL CIRCLE SAWN

6/4 FAS/SEL

4/4 RUSTIC CIRCLE SAWN

8/4 FAS/SEL

QUARTER-SAWN/RIFT WHITE OAK

4/4 FAS/SEL QTR SAWN

5/4 RUSTIC QTR SAWN/RIFT

4/4 FAS/SEL RIFT

6/4 FAS/SEL QTR SAWN

4/4 RUSTIC QUARTER SAWN/RIFT

6/4 FAS/SEL RIFT

5/4 FAS/SEL QTR SAWN

8/4 FAS/SEL QTR SAWN

5/4 FAS/SEL RIFT

8/4 FAS/SEL RIFT

YELLOW POPLAR

4/4 FAS/SEL

8/4 FAS/SEL

4/4 FAS/SEL (WHITE SORT 1 FACE)

10/4 FAS/SEL

4/4 #1C

12/4 FAS/SEL (R1E not available)

5/4 FAS/SEL

16/4 FAS/SEL (R1E not available)

6/4 FAS/SEL

FIR—VERTICAL GRAIN/MIXED GRAIN

4/4 FAS/SEL 1X4, 1X5, 1X6, 1X8, 1X10

8/4 FAS/SEL

IMPORT LUMBER—EXOTICS

EUROPEAN BEECH

4/4 SUPERIOR

4/4 RUSTIC

5/4 SUPERIOR

6/4 SUPERIOR

8/4 SUPERIOR

JATOBA (BRAZILIAN CHERRY)

4/4 FAS/SEL

5/4 FAS/SEL

8/4 FAS/SEL

AFRICAN MAHOGANY

4/4 FAS/SEL

5/4 FAS/SEL

8/4 FAS/SEL

ROYAL MAHOGANY

4/4 FAS/SEL

5/4 FAS/SEL

8/4 FAS/SEL

SAPELE MAHOGANY

4/4 FAS/SEL

RENNEBERG HARDWOODS INC.
PLYWOOD & SHEET STOCK

ABBREVIATIONS

CFC - COMBINATION FIBER CORE
FSC - FORESTRY STEWARDSHIP COUNCIL
MDF - MEDIUM DENSITY FIBERCORE
MEL - MELAMINE
NAUF - NO ADDED UREA OR FORMALDEHYDE
PBC - PARTICLE BOARD CORE
PS - PLAIN SLICED
ROT - ROTARY CUT
VC - VENEER CORE
WPF - WHOLE-PIECE FACE

Thick-ness	Grade	Species	Core	Size	Unit Size
------------	-------	---------	------	------	-----------

ALDER

1/4"	RUSTIC	ALDER 1-1/2" ON CENTER BEADED	MDF	4x8	60
1/4"	A-1	PS ALDER	MDF	4x8	60
1/4"	A-4	PS ALDER	VC	4x8	60
1/4"	A-1	PS ALDER BEADED 1-1/2" ON CENTER	MDF	4x8	60
1/4"	RUSTIC	PS ALDER PLANK MATCH	MDF	4x8	60
1/4"	RUSTIC	PS TIGHT KNOT ALDER	MDF	4x8	60
3/8"	A-1	PS ALDER	MDF	4x8	60
1/2"	RUSTIC C-4	ALDER PLANK MATCH	VC	4x8	60
1/2"	A-1	PS ALDER MDF	MDF	4x8	60
1/2"	RUSTIC	PS ALDER PLANK MATCH	MDF	4x8	60
3/4"	A	HARD ROCK MAPLE MEL/PS ALDER	PBC	4x8	48
3/4"	RUSTIC	HARD ROCK MAPLE MEL/RUSTIC ALDER	PBC	4x8	24
3/4"	A-1	PS ALDER	CFC	4x8	40
3/4"	RUSTIC	PS ALDER	CFC	4x8	40
3/4"	A-1	PS ALDER	MDF	4x8	40
3/4"	A-1	PS ALDER	MDF	4x10	24
3/4"	A-1	PS ALDER	PBC	4x8	40
3/4"	RUSTIC	PS ALDER	PBC	4x8	40
3/4"	RUSTIC	PS ALDER PLANK MATCH	MDF	4x8	40
3/4"	RUSTIC	PS ALDER PLANK MATCH	MDF	4x10	24
3/4"	RUSTIC	PS TIGHT KNOT ALDER	MDF	4x8	40
3/4"	A	WHITE MEL/PS ALDER	MDF	4x8	48
3/4"	RUSTIC	WHITE MEL/RUSTIC ALDER	PBC	4x8	48

ASH

1/4"	A-1	ROT "ALL HEART" BROWN ASH	MDF	4x8	60
1/4"	A-1	ROT "SAP" WHITE ASH	MDF	4x8	40
3/4"	A-1	ROT "ALL HEART" BROWN ASH	MDF	4x8	40
3/4"	A-1	ROT "SAP" WHITE ASH	MDF	4x8	40

ASPEN

1/2"	C-C	ASPEN PTS* 2 SIDE 5-PLY	VC	4x8	66
3/4"	C-C	ASPEN PTS* 2 SIDE 7-PLY	VC	4x8	44
7/8"	C-C	ASPEN PTS*	VC	4x8	38
1"	A-C	ASPEN PTS* 1 SIDE	VC	4x8	33
1"	B-C	ASPEN PTS* 1 SIDE	VC	4x8	33

* PTS = PLUGGED AND TOUCH SANDED

RENNEBERG HARDWOODS INC.

Thick-ness	Grade	Species	Core	Size	Unit Size
------------	-------	---------	------	------	-----------

BEECH

1/4"	A-1	PS EURO STEAMED BEECH	MDF	4x8	20
3/4"	A-1	PS EURO STEAMED BEECH	MDF	4x8	20

BALTIC BIRCH

12 MM	B/BB	BALTIC BIRCH	VC	4x8	33
12 MM	B/BB	BALTIC BIRCH	VC	5x5	33
12 MM	BB/BB	BALTIC BIRCH	VC	4x8	33
12 MM	BB/BB	BALTIC BIRCH	VC	5x5	33
15 MM	B/BB	BALTIC BIRCH 11 PLY	VC	5x5	26
15 MM	BB/BB	BALTIC BIRCH 11 PLY	VC	5x5	26
18 MM	B/BB	BALTIC BIRCH	VC	4x8	22
18 MM	B/BB	BALTIC BIRCH	VC	5x5	22
3 MM	B/BB	BALTIC BIRCH	VC	5x5	130
6 MM	B/BB	BALTIC BIRCH	VC	4x8	65
6 MM	B/BB	BALTIC BIRCH	VC	5x5	65
6 MM	BB/BB	BALTIC BIRCH	VC	5x5	65
9 MM	B/BB	BALTIC BIRCH	VC	5x5	44

BIRCH

5.2 MM	A-4	ROT NATURAL BIRCH-IMPORT	VC	4x8	VARIES
1/4"	RUSTIC	NATURAL BIRCH	MDF	4x8	60
1/4"	B-1	ROT NATURAL BIRCH WPF	MDF	4x8	60
1/4"	A-1	ROT RED BIRCH	MDF	4x8	20
1/4"	A-1	ROT WHITE BIRCH	MDF	4x8	60
1/4"	B-4	ROT WHITE BIRCH	VC	4x8	60
1/2"	B-2	ROT NATURAL BIRCH	MDF	4x8	60
1/2"	D-3	ROT NATURAL BIRCH WPF 5 PLY	VC	4x8	60
1/2"	A-1	ROT WHITE BIRCH BK	MDF	4x8	60
3/4"	A	HARD ROCK MAPLE MEL/ROT WHITE BIRCH	PBC	4x8	48
3/4"	RUSTIC	NATURAL BIRCH	MDF	4x8	40
3/4"	C-2	ROT NATURAL BIRCH	MDF	4x8	40
3/4"	A-1	ROT NATURAL BIRCH	VC	4x8	40
3/4"	C-2	ROT NATURAL BIRCH	VC	4x8	40
3/4"	D-3	ROT NATURAL BIRCH WPF	CFC	4x8	40
3/4"	B-1	ROT NATURAL BIRCH WPF	MDF	4x8	40
3/4"	A-1	ROT RED BIRCH	MDF	4x8	20
3/4"	B-1	ROT WHITE BIRCH	VC	4x10	24
3/4"	A-1	ROT WHITE BIRCH BK	CFC	4x8	40
3/4"	A-1	ROT WHITE BIRCH BK	MDF	4x8	40
3/4"	A-1	ROT WHITE BIRCH BK	PBC	4x8	40
3/4"	A-1	ROT WHITE BIRCH BK	VC	4x8	40
3/4"	A-1	ROT WHITE BIRCH WPF	MDF	4x8	40
3/4"	A	WHITE MEL/ROT WHITE BIRCH	PBC	4x8	48

CEDAR

1/4"	A-4	PS AROMATIC CEDAR	MDF	4x8	60
1/4"	A-4	PS WESTERN RED CEDAR	VC	4x8	60
1/2"	A-1	PS WESTERN RED CEDAR	CFC	4x8	60
3/4"	A-4	PS AROMATIC CEDAR	CFC	4x8	40
3/4"	A-1	PS WESTERN RED CEDAR	CFC	4x8	20

RENNEBERG HARDWOODS INC.

Thick-ness	Grade	Species	Core	Size	Unit Size
------------	-------	---------	------	------	-----------

CHERRY

1/4"	A-1	PS CHERRY	MDF	4x8	60
1/4"	B-4	PS CHERRY	VC	4x8	40
1/4"	C-C	PS CHERRY	MDF	4x8	60
3/8"	A-1	PS CHERRY	MDF	4x8	60
1/2"	A-1	PS CHERRY	MDF	4x8	60
1/2"	A-1	PS CHERRY	VC	4x8	60
5/8"	A	WHITE MEL/PS CHERRY	PBC	4x8	48
3/4"	A	HARD ROCK MAPLE MEL/PS CHERRY	PBC	4x8	48
3/4"	A-1	PS CHERRY	CFC	4x8	40
3/4"	RUSTIC	PS CHERRY	CFC	4x8	40
3/4"	A-1	PS CHERRY	MDF	4x8	40
3/4"	A-1	PS CHERRY	MDF	4x10	24
3/4"	RUSTIC	PS CHERRY	MDF	4x8	40
3/4"	A-1	PS CHERRY	PBC	4x8	40
3/4"	A	WHITE MEL/PS CHERRY	PBC	4x8	48
3/4"	RUSTIC	WHITE MEL/RUSTIC CHERRY	PBC	4x8	48

FIR

1/4"	A-1	A-1 VERTICAL GRAIN FIR	MDF	4x8	60
3/4"	A-1	A-1 VERTICAL GRAIN FIR	CFC	4x8	40
3/4"	A-1	A-1 VERTICAL GRAIN FIR	MDF	4x8	40
3/4"	A-C	A-C EXTERIOR FIR 7 PLY	VC	4x8	40

HICKORY

1/4"	A-1	PS "ALL HEART" HICKORY	MDF	4x8	60
1/4"	A-1	PS HICKORY	MDF	4x8	60
1/4"	RUSTIC	PS HICKORY	MDF	4x8	60
1/4"	B-4	PS HICKORY	VC	4x8	60
1/2"	A-1	PS HICKORY	MDF	4x8	60
1/2"	C-4	PS RUSTIC HICKORY	VC	4x8	60
3/4"	A	HARD ROCK MAPLE MEL/PS HICKORY	PBC	4x8	48
3/4"	RUSTIC	HARD ROCK MAPLE/RUSTIC HICKORY	PBC	4x8	48
3/4"	A-1	PS "ALL HEART" HICKORY	MDF	4x8	40
3/4"	RUSTIC	PS CALICO HICKORY	MDF	4x8	40
3/4"	A-1	PS HICKORY	CFC	4x8	40
3/4"	RUSTIC	PS HICKORY	CFC	4x8	40
3/4"	A-1	PS HICKORY	MDF	4x8	40
3/4"	A-1	PS HICKORY	MDF	4x10	24
3/4"	RUSTIC	PS HICKORY	VC	4x8	40
3/4"	A	WHITE MEL/PS HICKORY	PBC	4x8	48
3/4"	RUSTIC	WHITE MEL/PS RUSTIC HICKORY	PBC	4x8	48

KNOTTY PINE

1/4"	A-1	PS KNOTTY PINE	MDF	4x8	60
1/4"	B-4	PS KNOTTY PINE	VC	4x8	60
1/2"	A-2	PS KNOTTY PINE	MDF	4x8	60
3/4"	A-1	PS KNOTTY PINE	CFC	4x8	40
3/4"	A-1	PS KNOTTY PINE	MDF	4x8	40
3/4"	A	WHITE MEL/PS KNOTTY PINE	PBC	4x8	48

RENNEBERG HARDWOODS INC.

Thick-ness	Grade	Species	Core	Size	Unit Size
MAHOGANY					
1/4"	A-1	PS AFRICAN MAHOGANY	MDF	4x8	60
1/4"	A-1	PS ROYAL MAHOGANY	MDF	4x8	60
1/2"	A-1	PS ROYAL MAHOGANY	MDF	4x8	60
3/4"	A-1	PS AFRICAN MAHOGANY	CFC	4x8	40
3/4"	A-1	PS ROYAL MAHOGANY	MDF	4x8	40

MAPLE					
1/4"	C-4	PF NATURAL MAPLE	VC	4x8	60
1/4"	RUSTIC	PS NATURAL MAPLE	MDF	4x8	60
1/4"	A-1	PS WHITE MAPLE	MDF	4x8	60
1/4"	B-4	PS WHITE MAPLE	VC	4x8	60
1/4"	B-1	ROT NATURAL CALICO MAPLE	MDF	4x8	60
1/4"	C-4	ROT NATURAL MAPLE	VC	4x8	60
1/4"	B-1	ROT NATURAL MAPLE WPF	MDF	4x8	60
1/4"	A-1	ROT WHITE MAPLE	MDF	4x8	60
1/4"	B-4	ROT WHITE MAPLE	VC	4x8	60
1/4"	A-1	ROT WHITE MAPLE WPF	MDF	4x8	60
1/4"	A-1	WHITE MAPLE BEADED 1-1/2" ON CENTER	MDF	4x8	60
3/8"	A-1	ROT WHITE MAPLE	MDF	4x8	60
1/2"	C-2	MAPLE APPLEPLY	VC	4x8	60
1/2"	C-2	PF NATURAL MAPLE	VC	4x8	60
1/2"	A-1	PS WHITE MAPLE	MDF	4x8	60
1/2"	B-1	ROT NATURAL MAPLE	MDF	4x8	40
1/2"	C-2	ROT NATURAL MAPLE	VC	4x8	60
1/2"	A-1	ROT WHITE MAPLE WPF	MDF	4x8	60
1/2"	B-2	ROT WHITE MAPLE/NATURAL MAPLE BACK	VC	4x8	30
5/8"	A-1	ROT WHITE MAPLE	PBC	4x8	40
3/4"	A	HARD ROCK MAPLE MEL/PS WHITE MAPLE	PBC	4x8	48
3/4"	A	HARD ROCK MAPLE MEL/ROT WHITE MAPLE	PBC	4x8	48
3/4"	RUSTIC	NATURAL MAPLE	VC	4x8	40
3/4"	C-2	PF NATURAL MAPLE	VC	4x8	40
3/4"	RUSTIC	PS NATURAL MAPLE	MDF	4x8	40
3/4"	A-1	PS WHITE MAPLE	CFC	4x8	40
3/4"	A-1	PS WHITE MAPLE	MDF	4x8	30
3/4"	A-2	PS WHITE MAPLE	MDF	4x10	24
3/4"	A-1	PS WHITE MAPLE	PBC	4x8	40
3/4"	C-2	ROT NATURAL MAPLE	VC	4x8	40
3/4"	C-3	ROT NATURAL MAPLE	VC	4x10	24
3/4"	B-1	ROT NATURAL MAPLE WPF	MDF	4x8	30
3/4"	A-1	ROT WHITE MAPLE	CFC	4x8	40
3/4"	A-1	ROT WHITE MAPLE	MDF	4x8	30
3/4"	B-1	ROT WHITE MAPLE	MDF	4x10	24
3/4"	A-1	ROT WHITE MAPLE WPF	MDF	4x8	40
3/4"	B-1	ROT WHITE MAPLE/NATURAL MAPLE BK	MDF	4x8	40
3/4"	A-1	WHITE MAPLE WPF	PBC	4x8	40
3/4"	A	WHITE MEL/PS WHITE MAPLE	PBC	4x8	48
3/4"	A	WHITE MEL/ROT WHITE MAPLE	MDF	4x8	48
3/4"	A	WHITE MEL/ROT WHITE MAPLE	PBC	4x8	48
3/4"	A	WHITE MEL/ROT WPF WHITE MAPLE	PBC	4x8	48
3/4"	C-3	WPF NATURAL MAPLE	CFC	4x8	40

RENNEBERG HARDWOODS INC.

Thick-ness	Grade	Species	Core	Size	Unit Size
RED OAK					
5.2 MM	A-3	PS RED OAK-IMPORT	VC	4x8	VARIES
1/4"	A-1	PS RED OAK	MDF	4x8	60
1/4"	A-3	PS RED OAK	VC	4x8	60
1/4"	A-1	QUARTER SAWN RED OAK	MDF	4x8	60
1/4"	A-1	RIFT RED OAK	MDF	4x8	60
1/4"	A-1	ROT RED OAK	MDF	4x8	60
1/4"	RUSTIC	ROT RED OAK	MDF	4x8	60
1/4"	B-4	ROT RED OAK	VC	4x8	60
1/4"	A-1	ROT RED OAK BEADED 1-1/2" ON CENTER	MDF	4x8	60
3/8"	A-1	PS RED OAK/ROT RED OAK BACK	MDF	4x8	40
1/2"	A-1	PS RED OAK	MDF	4x8	60
1/2"	A-1	ROT RED OAK	MDF	4x8	60
1/2"	A-1	ROT RED OAK	VC	4x8	60
1/2"	RUSTIC C-4	ROT RED OAK	VC	4x8	60
5/8"	A-1	PS RED OAK/ROT RED OAK BACK	PBC	4x8	40
5/8"	A	WHITE MEL/ROT RED OAK	PBC	4x8	48
3/4"	A	HARD ROCK MAPLE MEL/PS RED OAK	PBC	4x8	48
3/4"	A	HARD ROCK MAPLE MEL/ROT RED OAK	PBC	4x8	48
3/4"	A-1	PS RED OAK	CFC	4x8	40
3/4"	A-1	PS RED OAK	MDF	4x8	40
3/4"	A-1	PS RED OAK	MDF	4x10	24
3/4"	RUSTIC	PS RED OAK	MDF	4x8	40
3/4"	A-1	PS RED OAK	PBC	4x8	40
3/4"	A-1	PS RED OAK	VC	4x8	40
3/4"	A-1	PS RED OAK/ROT BACK	MDF	4x8	40
3/4"	A-1	QUARTER SAWN RED OAK	CFC	4x8	40
3/4"	A-1	QUARTER SAWN RED OAK	MDF	4x8	40
3/4"	A-1	RIFT RED OAK	MDF	4x8	40
3/4"	A-1	ROT RED OAK	CFC	4x8	40
3/4"	A-1	ROT RED OAK	MDF	4x8	40
3/4"	A-1	ROT RED OAK	PBC	4x8	40
3/4"	A-1	ROT RED OAK	VC	4x8	40
3/4"	RUSTIC	ROT RED OAK	VC	4x8	40
3/4"	A-1	ROT RED OAK WPF	MDF	4x8	40
3/4"	A	WHITE MEL/PS RED OAK	PBC	4x8	48
3/4"	A	WHITE MEL/ROT RED OAK	MDF	4x8	48
3/4"	A	WHITE MEL/ROT RED OAK	MDF	4x8	48
3/4"	A	WHITE MEL/ROT RED OAK	PBC	4x8	48

WALNUT

1/4"	A-1	PS WALNUT	MDF	4x8	60
1/4"	RUSTIC	PS WALNUT	MDF	4x8	60
1/2"	A-2	PS WALNUT	MDF	4x8	60
3/4"	A-1	PS WALNUT	CFC	4x8	40
3/4"	A-1	PS WALNUT	MDF	4x8	40
3/4"	RUSTIC	PS WALNUT	MDF	4x8	40
3/4"	A	WHITE MEL/PS WALNUT	PBC	4x8	48

RENNEBERG HARDWOODS INC.

Thick-ness	Grade	Species	Core	Size	Unit Size
WHITE OAK					
1/4"	RUSTIC	PS RUSTIC WHITE OAK PLANK MATCH	MDF	4x8	60
1/4"	A-1	PS WHITE OAK	MDF	4x8	60
1/4"	A-1	QUARTER SAWN WHITE OAK	MDF	4x8	60
1/4"	A-1	RIFT WHITE OAK	MDF	4x8	60
3/4"	RUSTIC	PS PLANK MATCH WHITE OAK	VC	4x8	40
3/4"	A-1	PS WHITE OAK	MDF	4x8	40
3/4"	A-1	QUARTER SAWN WHITE OAK	CFC	4x8	40
3/4"	A-1	QUARTER SAWN WHITE OAK	MDF	4x8	40
3/4"	A-1	RIFT WHITE OAK	MDF	4x8	30

POPLAR					
1/4"	A-1	ROT NATURAL POPLAR	MDF	4x8	60
1/4"	B-1	ROT NATURAL POPLAR	MDF	4x8	60
1/2"	B-1	ROT NATURAL POPLAR	MDF	4x8	60
3/4"	B-1	PS NATURAL POPLAR	MDF	4x10	24
3/4"	A-1	ROT NATURAL POPLAR	MDF	4x8	40
3/4"	B-1	ROT NATURAL POPLAR	MDF	4x8	30
3/4"	B-1	ROT NATURAL POPLAR	PBC	4x8	30
3/4"	A	WHITE MEL/NATURAL POPLAR	PBC	4x8	48

MERANTI					
5.2 MM	IMPORT	MERANTI IMPORT 4 X 8	VC	4x8	115
5.2 MM	IMPORT	MERANTI IMPORT 4 X 10	VC	4x10	115

EXT MARINE					
3/4"	AB	AB EXT MARINE VC	VC	4x8	40

MELAMINE					
3/4"		#700 RUSTIC ALDER MEL	PBC	4x8	34
1/4"		ALMOND/ALMOND MEL	MDF	4x8	50
1/2"		ALMOND/ALMOND MEL	PBC	4x8	50
1/2"		ALMOND/ALMOND MEL	PBC	5x8	50
5/8"		ALMOND/ALMOND MEL	PBC	4x8	40
3/4"		ALMOND/ALMOND MEL	PBC	4x8	34
3/4"		ALMOND/ALMOND	PBC	5x8	34
1/4"		ANTIQUÉ WHITE MEL	MDF	4x8	50
1/2"		ANTIQUÉ WHITE MEL	PBC	4x8	50
3/4"		ANTIQUÉ WHITE MEL	PBC	4x8	34
1/4"		BLACK/BLACK MEL	MDF	4x8	50
1"		BLACK/BLACK MEL	PBC	4x8	25
1/2"		BLACK/BLACK MEL	PBC	4x8	50
5/8"		BLACK/BLACK MEL	PBC	4x8	40
3/4"		BLACK/BLACK MEL	PBC	4x8	34
3/4"		BLACK/BLACK MEL	PBC	5x8	34
1/4"		CABINET MAPLE MEL	MDF	4x8	50
1/2"		CABINET MAPLE MEL	PBC	5x8	50
3/4"		CABINET MAPLE MEL	PBC	5x8	34
1/2"		CABINET MAPLE MEL	PBC	4x8	50
5/8"		CABINET MAPLE MEL	PBC	4x8	40
3/4"		CABINET MAPLE MEL	PBC	4x8	34
1/4"		CARAMEL APPLE MEL	MDF	4x8	50

RENNEBERG HARDWOODS INC.

Thick-ness	Grade	Species	Core	Size	Unit Size
3/4"		CARAMEL APPLE MEL PINE CORE	PBC	4x8	34
1/4"		CHOCOLATE APPLE MEL	MDF	4x8	50
3/4"		CHOCOLATE APPLE MEL	CFC	4x8	40
3/4"		CHOCOLATE APPLE MEL	PBC	4x8	34
1/4"		FOLKSTONE GREY MEL	MDF	4x8	50
3/4"		FOLKSTONE GREY MEL	PBC	4x8	34
1/4"		HARD ROCK MAPLE MEL	MDF	4x8	50
1/4"		HARD ROCK MAPLE MEL	MDF	5x8	50
3/4"		HARD ROCK MAPLE MEL	PBC	5x8	34
1/2"		HARD ROCK MAPLE MEL	PBC	4x8	50
1/2"		HARD ROCK MAPLE MELE	PBC	5x8	50
5/8"		HARD ROCK MAPLE MEL	PBC	4x8	40
3/4"		HARD ROCK MAPLE MEL	PBC	4x8	34
3/4"		HARD ROCK MAPLE MEL/GLUE BACK	PBC	4x8	34
1/4"		LONDON GREY MEL	MDF	4x8	50
3/4"		LONDON GREY MEL	PBC	4x8	34
3/4"		MEDIUM SYCAMORE	CFC	4x8	40
1/4"		SOLAR OAK MEL	MDF	4x8	50
3/4"		SOLAR OAK MEL	PBC	4x8	34
5/8"		WHITE MEL/GLUE BACK	PBC	4x8	40
3/4"		WHITE MEL/GLUE BACK	PBC	4x8	34
1/2"		WHITE/GLUE BACK MEL	PBC	4x8	50
3/4"		WHITE/WHITE	CFC	4x8	40
3/4"		WHITE/WHITE MEL	MDF	4x8	34
3/4"		WHITE/WHITE MEL	PBC	4x9	34
3/4"		WHITE/WHITE MEL NAUF FSC	PBC	4x8	34
1/2"		WHITE/WHITE MEL	PBC	4x8	50
1/2"		WHITE/WHITE MEL	PBC	5x8	50
5/8"		WHITE/WHITE MEL	PBC	4x8	40
5/8"		WHITE/WHITE MEL	PBC	5x8	40
3/4"		WHITE/WHITE MEL	PBC	4x8	34
3/4"		WHITE/WHITE MEL	PBC	4x8	20
3/4"		WHITE/WHITE MEL	PBC	4x10	20
3/4"		WHITE/WHITE MEL	PBC	5x8	34
1"		WHITE/WHITE MEL	PBC	4x8	25
1/2"		WHITE/WHITE MEL SKYBLEND	PBC	4x8	50
3/4"		WHITE/WHITE MEL SKYBLEND	PBC	4x8	34
1"		WHITE/WHITE MEL SKYBLEND	PBC	4x8	25
3/4"		WHITE/WHITE MEL SKYBLEND ULEF	PBC	5x8	34
1/4"		WHITE/WHITE THERMO FUSED MEL	MDF	4x8	50
1/4"		WHITE/WHITE THERMO FUSED MEL	MDF	5x8	50
1/4"		WILD APPLE MEL	MDF	4x8	50
3/4"		WILD APPLE MEL	PBC	4x8	34
1/4"		WILD CHERRY MEL	MDF	4x8	50
3/4"		WILD CHERRY MEL	PBC	4x8	34
1/4"		WINDSOR MAHOGANY MEL	MDF	4x8	50
3/4"		WINDSOR MAHOGANY MEL	PBC	4x8	34

RENNEBERG HARDWOODS INC.

Thick-ness	Grade	Species	Core	Size	Unit Size
------------	-------	---------	------	------	-----------

VINYL

1/4"		ALMOND 1 SIDE VINYL	MDF	4x8	60
1/4"		HARD ROCK MAPLE 1 SIDE HOT ROLLED MEL	MDF	4x8	60
1/4"		HARD ROCK MAPLE 1 SIDE HOT ROLLED MEL	MDF	5x8	60
1/4"		WHITE 1 SIDE VINYL	MDF	4x8	60
1/4"		WHITE 1 SIDE VINYL	MDF	5x8	60
1/4"		BLACK 1 SIDE VINYL STIPPLE	MDF	4x8	60
1/2"		WHITE 1 SIDE VINYL	PBC	4x8	60
1/2"		WHITE 1 SIDE VINYL	PBC	5x8	60
3/4"		WHITE 1 SIDE VINYL	MDF	4x8	40

PARTICLE BOARD

1/2"		INDUSTRIAL	PBC	4x8	50
1/2"		INDUSTRIAL	PBC	5x12	32
5/8"		INDUSTRIAL	PBC	4x8	40
5/8"		INDUSTRIAL	PBC	5x8	40
2/3"		INDUSTRIAL	PBC	4x8	36
3/4"		INDUSTRIAL	PBC	25x97	34
3/4"		INDUSTRIAL	PBC	25x145	34
3/4"		INDUSTRIAL	PBC	30x97	34
3/4"		INDUSTRIAL	PBC	30x121	34
3/4"		INDUSTRIAL	PBC	30x145	34
3/4"		INDUSTRIAL	PBC	36x97	34
3/4"		INDUSTRIAL	PBC	36x121	34
3/4"		INDUSTRIAL	PBC	36x145	34
3/4"		INDUSTRIAL	PBC	4x8	34
3/4"		SKYBLEND INDUSTRIAL	PBC	4x8	34
3/4"		INDUSTRIAL NAUF FSC	PBC	4x8	34
3/4"		INDUSTRIAL	PBC	4x10	20
3/4"		INDUSTRIAL	PBC	4x12	20
3/4"		INDUSTRIAL	PBC	5x8	34
3/4"		INDUSTRIAL	PBC	5x10	20
3/4"		INDUSTRIAL	PBC	5x12	20
1"		INDUSTRIAL	PBC	4x8	25
1"		INDUSTRIAL	PBC	4x10	16
1"		INDUSTRIAL	PBC	4x12	16
1"		INDUSTRIAL	PBC	5x8	25
1 1/8"		INDUSTRIAL	PBC	30 1/2x97	23
1 1/8"		INDUSTRIAL	PBC	30 1/2x121	23
1 1/8"		INDUSTRIAL	PBC	30 1/2x145	23
1 1/8"		INDUSTRIAL	PBC	3x8	23
1 1/8"		INDUSTRIAL	PBC	3x10	23
1 1/8"		INDUSTRIAL	PBC	3x12	23
1 1/8"		INDUSTRIAL	PBC	4x8	23
1 1/8"		INDUSTRIAL	PBC	4x12	14
1 1/8"		INDUSTRIAL	PBC	5x8	23
1 1/8"		INDUSTRIAL	PBC	5x10	14
1 1/8"		INDUSTRIAL	PBC	5x12	14

RENNEBERG HARDWOODS INC.

Thick-ness	Grade	Species	Core	Size	Unit Size
------------	-------	---------	------	------	-----------

RAW MDF

1/8"		PREMIUM RAW	MDF	49x97	240
1/4"		RAW 1-1/2" ON CENTER BEADBOARD	MDF	4x8	60
1/4"		PREMIUM RAW	MDF	49x97	112
1/4"		PREMIUM RAW	MDF	49x121	100
1/4"		PREMIUM RAW	MDF	61x97	100
3/8"		PREMIUM RAW	MDF	49x97	88
1/2"		PREMIUM RAW	MDF	49x97	66
1/2"		PREMIUM RAW	MDF	49x121	50
1/2"		PREMIUM RAW	MDF	61x97	50
5/8"		PREMIUM RAW	MDF	49x97	53
2/3"		PREMIUM RAW	MDF	49x97	48
3/4"		PREMIUM RAW	MDF	49x97	44
3/4"		PLATINUM RAW	MDF	49x97	44
3/4"		PREMIUM RAW	MDF	49x121	34
3/4"		PREMIUM RAW	MDF	49x145	34
3/4"		PREMIUM RAW	MDF	61x97	34
3/4"		PREMIUM RAW	MDF	61x121	34
1"		PREMIUM RAW	MDF	49x97	34

BENDING STOCK

1/4"		BENDING STOCK		8x4	VARIABLES
3/8"		BENDING STOCK		8x4	VARIABLES

DRAWER SIDE & SHELVING

Melamine - Edge Banded 2 sides
Available in White and Hard Rock Maple

1/2 x 15 1/2 x 97 Drawer Side
1/2 x 9 7/16 x 97 Drawer Side
34 x 24 x 97 Shelving

EDGE GLUED PANELS

A-Grade and Rustic Panels Available
5/8" or 25/32" Thickness Available
Sanded 120 Grit/Color Matched
Standard Width on All Panels : 35 1/2"
Lengths : 19, 21, 24, 26, 28, 31, 33, 36, 42,
48.

Available Species

ALDER
ALDER - RUSTIC
BIRCH - WHITE
BIRCH - NATURAL
CHERRY
HICKORY
HICKORY - RUSTIC
MAPLE - HARD WHITE
MAPLE - NATURAL
PINE - KNOTTY
RED OAK
RED OAK - RIFT
RED OAK - QTR SAWN
SOFT MAPLE - PAINT GRADE
WHITE OAK
WHITE OAK -QTR SAWN/ RIFT
YELLOW POPLAR

RENNEBERG HARDWOODS, INC.

PO BOX 188 ♦ 11773 State Highway 87 ♦ Menahga, MN 56464

Toll Free: 800-950-8553 ♦ Local: 218-564-4912 ♦ Fax: 218-564-5360

Application for Open Account

Business Name: _____
Mailing Address: _____
Delivery Address: _____
City: _____ State: _____ Zip Code: _____ Date Established: _____
Contacts: _____ Accounting _____ Purchasing _____
Phone Number: _____ Fax Number: _____
After Hours: _____ Mobile: _____
E-mail address: _____

Credit amount that you are requesting: \$ _____

List all owners with home address and home phone/cell numbers: (This must be filled out and completed before credit consideration is given) _____

Have any of above listed owners filed bankruptcy? _____ If so, when _____

If you are exempt from sales tax, please complete a Certificate of Exemption Form and submit with this application. If no certificate is received you will be charged sales tax.

BANK REFERENCE:

Name: _____ Account # _____
Address: _____ City: _____ State: _____
Phone Number: _____ Fax Number: _____

TRADE REFERENCES:

Name: _____
Address: _____ City: _____ State: _____
Phone Number: _____ Fax Number: _____

Name: _____
Address: _____ City: _____ State: _____
Phone Number: _____ Fax Number: _____

Name: _____
Address: _____ City: _____ State: _____
Phone Number: _____ Fax Number: _____

I authorize Renneberg Hardwoods, Inc. to contact the above credit references and obtain pertinent information in order to establish an open account. If RHI approves credit application, I agree to the payment terms set forth by RHI. If the account enters in default, I agree to pay RHI any attorney fees, court costs, collection fees or other fees as permitted by law. I also agree to pay all finance charges incurred at the rate of 1-1/2% per month (18% annually).

Owner Signature: _____ Date: _____

Print name here: _____

RENNEBERG HARDWOODS

PO Box 188 1773 State Hwy 87 West Menahga, MN 56464

Terms and Conditions

Our policy at Renneberg Hardwoods, Inc.(RHI) covering payment of goods and services from our business is as follows:

ORDERS: All orders are subject to acceptance by RHI. All substantial orders must be accepted and acknowledged by RHI for quoted prices to be binding.

Custom Selection Requests: At our discretion, additional service charges may be applied depending on complexity of order.

Special orders will require a 50% down payment before production or material is ordered. No cancellation or changes can be made after confirmation of order completed. Payment for balance of order will be as per agreement or customer approved terms.

Prices, product listings, catalogs, sizes and manufacturing detail are subject to change without notice. All quoted prices, whether written or verbal, expire 30 days from quote date.

Material will remain the property of Renneberg Hardwoods until payment is received.

BILLING AND TERMS: Invoices for goods/services will be rendered at the time of shipment. All invoices are due upon receipt unless an open account has been approved by RHI. Invoices on open accounts are due in accordance of approved terms. Account terms are subject to review and may be changed periodically. **A service charge of up to 1-1/2 % per month (annual rate of 18%) will be assessed on all invoices past due at the end of each month.**

Payments: Cash, checks, Visa, MasterCard, and Discover cards are accepted. Credit card payments must be paid at the time of the purchase or they will be assessed a 3% administration fee. **Checks will be cashed upon receipt. Under no circumstances will RHI hold checks.**

CREDIT: Accounts which are unpaid 10 days after approved terms or are over approved credit limits may be denied further credit until account is in compliance. If payment arrangements are not made further shipments of goods are subject to be on a C.O.D. basis and approved by credit department.

DEFAULT/COLLECTION COST: You will be in default if you do not pay your total due within terms or if you file bankruptcy. If your account is referred to a third party for collection, you will be charged applicable collection fees (except where prohibited by law), plus court costs or whatever fee is permitted by law and/or awarded by the court.

If an invoice becomes 90 days old, your property may be subject to a lien or other remedies under the collection laws of your state.

LIMITATION/AMENDMENT: RHI may limit your credit, cancel your account, (or by giving you notice) change this policy at any time, including finance charges and annual percentage rate.

Credit Information: We may give to, or obtain from credit bureaus, or other creditors, information about your account.

RECEIVING MATERIALS: Material must be inspected at the time of delivery. All claims for shortages; or unacceptable quality must be made within 3 calendar days of delivery. Return items will be inspected by RHI before credit is issued.

IMPLIED ACCEPTANCE: Returns will not be accepted or credit given for any material that has been cut, moulded, stained, or otherwise processed or modified from its original state.

MERCHANDISE RETURNS: All sales are final. Claims must be made within 3 days of receipt of material. Credit or exchange of merchandise will be at the discretion of RHI. **RHI will not reimburse the cost of refinishing, rebuilding, reinstallation, or any other labor or further processing cost.** Any deviation to the above merchandise return policy must be pre-approved in writing.

MODIFICATIONS OF THE FOREGOING CONDITIONS WILL NOT BE ACCEPTED.

UNIFORM SALES & USE TAX CERTIFICATE—MULTIJURISDICTION

The below-listed states have indicated that this form of certificate is acceptable, subject to the notes on pages 2 - 4. The issuer and the recipient have the responsibility of determining the proper use of this certificate under applicable laws in each state, as these may change from time to time.

Issued to Seller: _____

Address: _____

I certify that: _____ is engaged as a registered

Name of Firm (Buyer): _____	Wholesaler	_____
Address _____	Retailer	_____
_____	Manufacturer	_____
_____	Seller (California)	_____
_____	Lessor (see notes on pages 2 - 4)	_____
_____	Other (Specify)	_____

and is registered with the below listed states and cities within which your firm would deliver purchases to us and that any such purchases are for wholesale, resale, ingredients or components of a new product or service¹ to be resold, leased, or rented in the normal course of business. We are in the business of wholesaling, retailing, manufacturing, leasing (renting) the following:

Description of Business: _____

General description of tangible property or taxable services to be purchased from the seller: _____

State	State Registration, Seller's Permit, or ID Number of Purchaser	State	State Registration, Seller's Permit, or ID Number of Purchaser
AL ²	_____	MO ¹³	_____
AR	_____	NE ¹⁴	_____
AZ ^{2,22}	_____	NV	_____
CA ¹	_____	NJ	_____
CO ¹	_____	NM ^{1,15}	_____
CT ⁴	_____	NC ²³	_____
DC ⁵	_____	ND	_____
FL ^{2,3}	_____	OH ^{2,6}	_____
GA ⁶	_____	OK ^{1,6}	_____
HI ^{1,7}	_____	PA ^{2,7}	_____
ID ^{1,8}	_____	RI ^{1,7}	_____
IL ¹	_____	SC ¹⁵	_____
IA	_____	SD	_____
KS	_____	TN	_____
KY ^{2,4}	_____	TX ¹⁹	_____
ME ⁸	_____	UT	_____
MD ¹⁰	_____	VT	_____
MI ¹¹	_____	WA ²⁰	_____
MN ¹²	_____	WI ²¹	_____

I further certify that if any property or service so purchased tax free is used or consumed by the firm as to make it subject to a Sales or Use Tax we will pay the tax due directly to the proper taxing authority when state law so provides or inform the seller for added tax billing. This certificate shall be a part of each order which we may hereafter give to you, unless otherwise specified, and shall be valid until canceled by us in writing or revoked by the city or state.

Under penalties of perjury, I swear or affirm that the information on this form is true and correct as to every material matter.

Authorized Signature: _____
(Owner, Partner or Corporate Officer)

Title: _____

Date: _____



- Hardwood Lumber
- Hardwood Plywood & MDF
- Melamine & Drawer Sides/Shelving
- Edge Glued Hardwood Panels
- Hardwood Mouldings & Face Frame
- Hardwood Flooring, Treads, Risers, and Vents
- Hardwood Tongue & Groove Paneling
- Shiplap

Check out our new website at:
www.renneberghardwoods.com